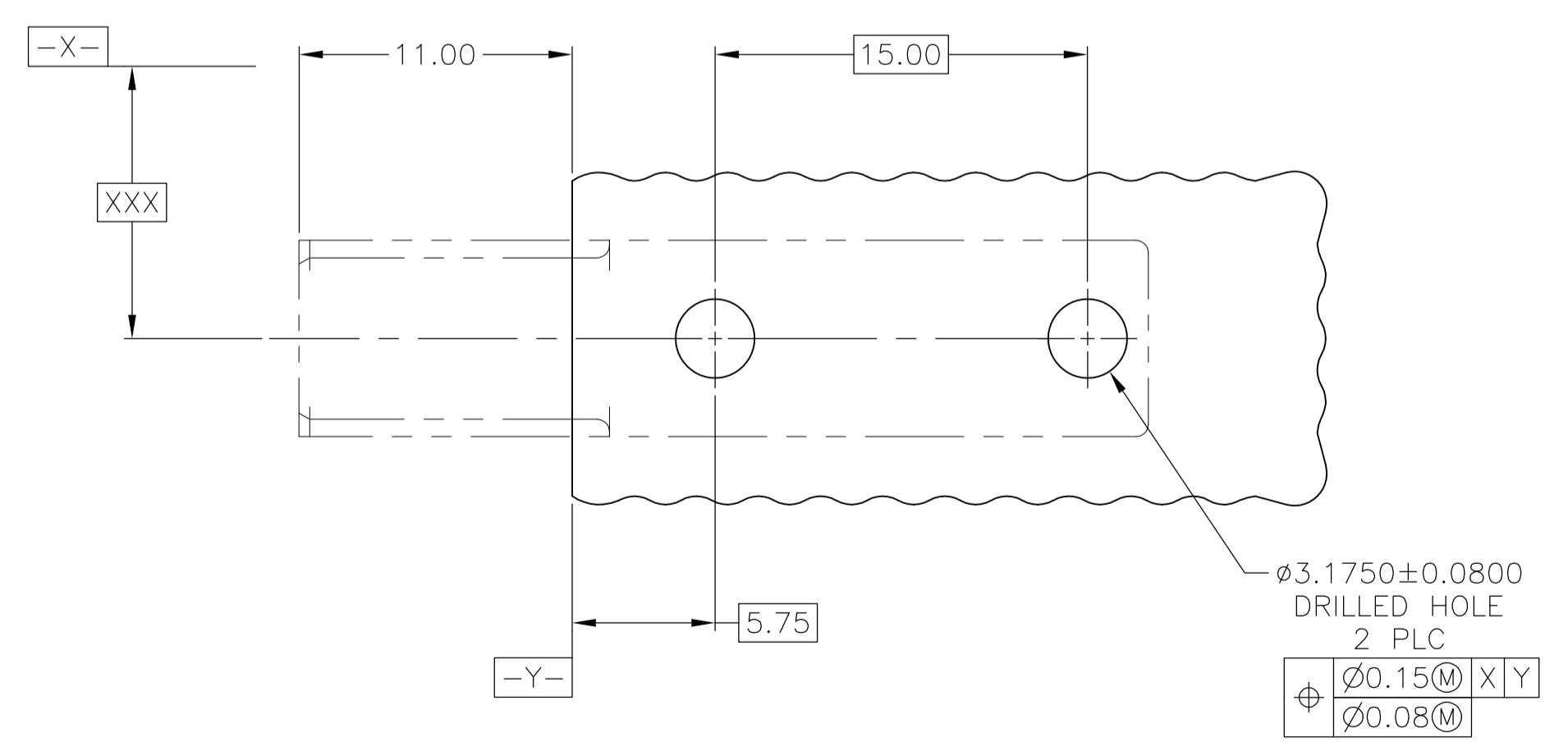
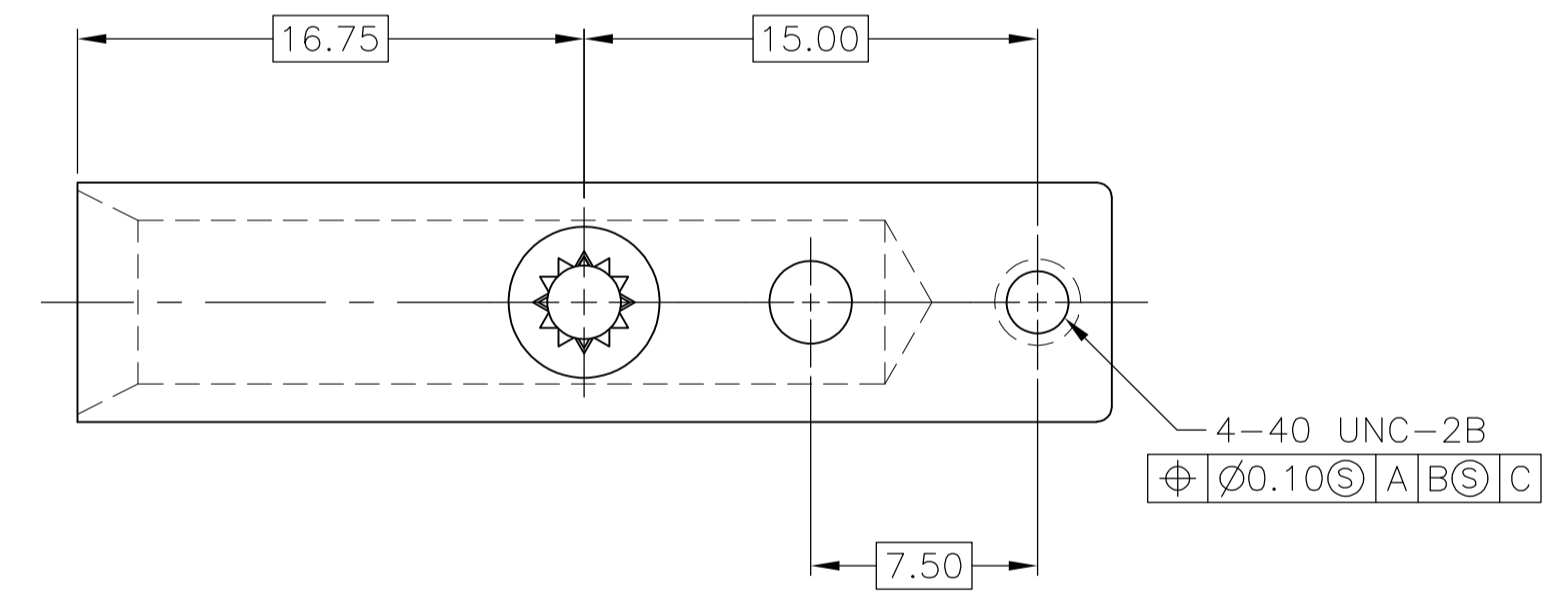
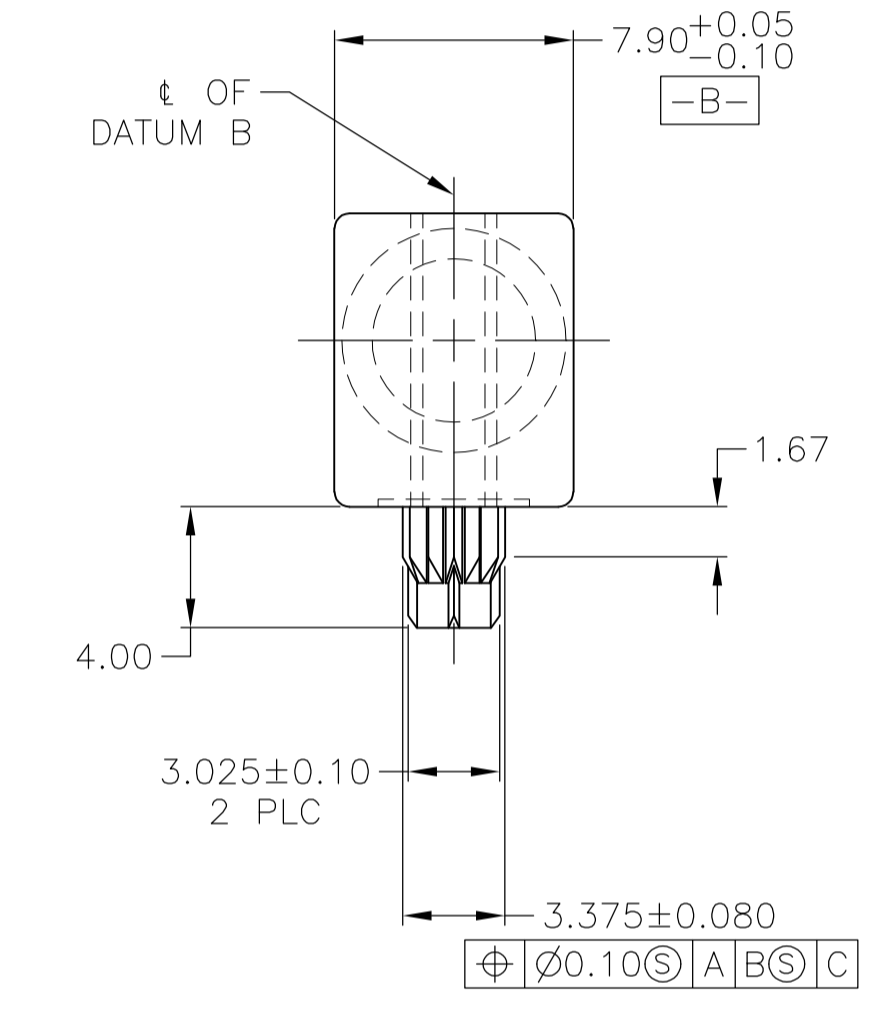
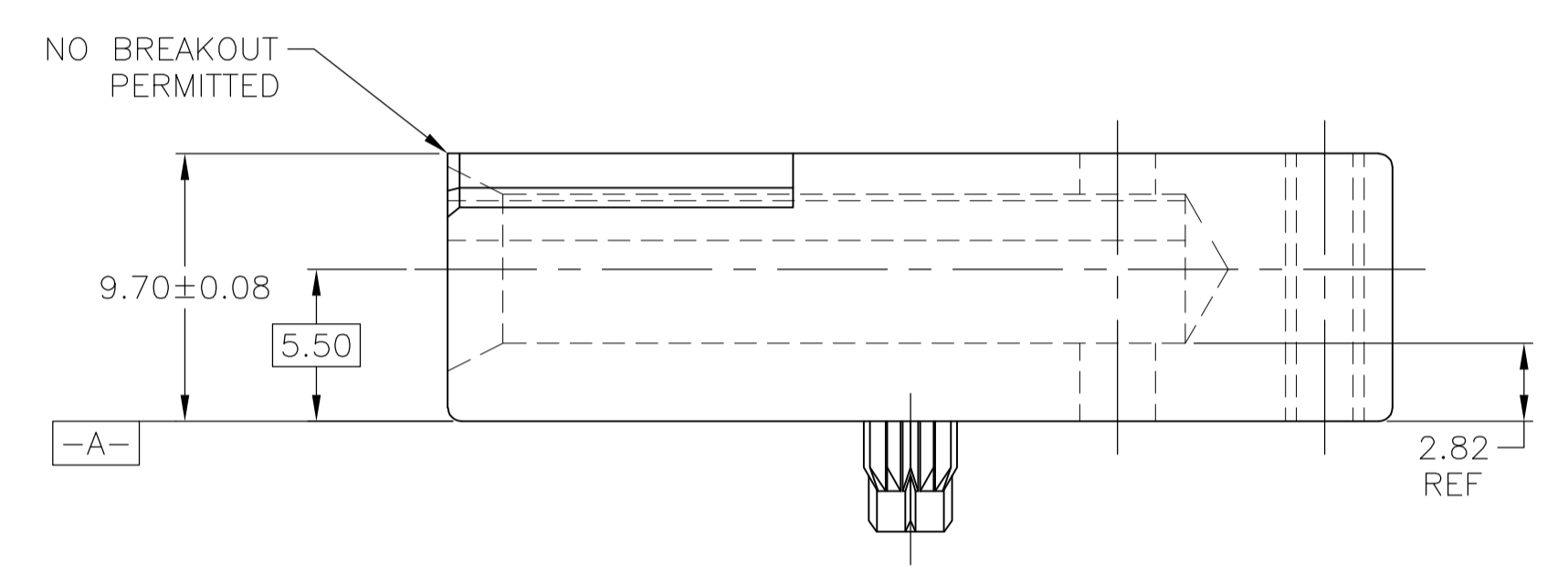
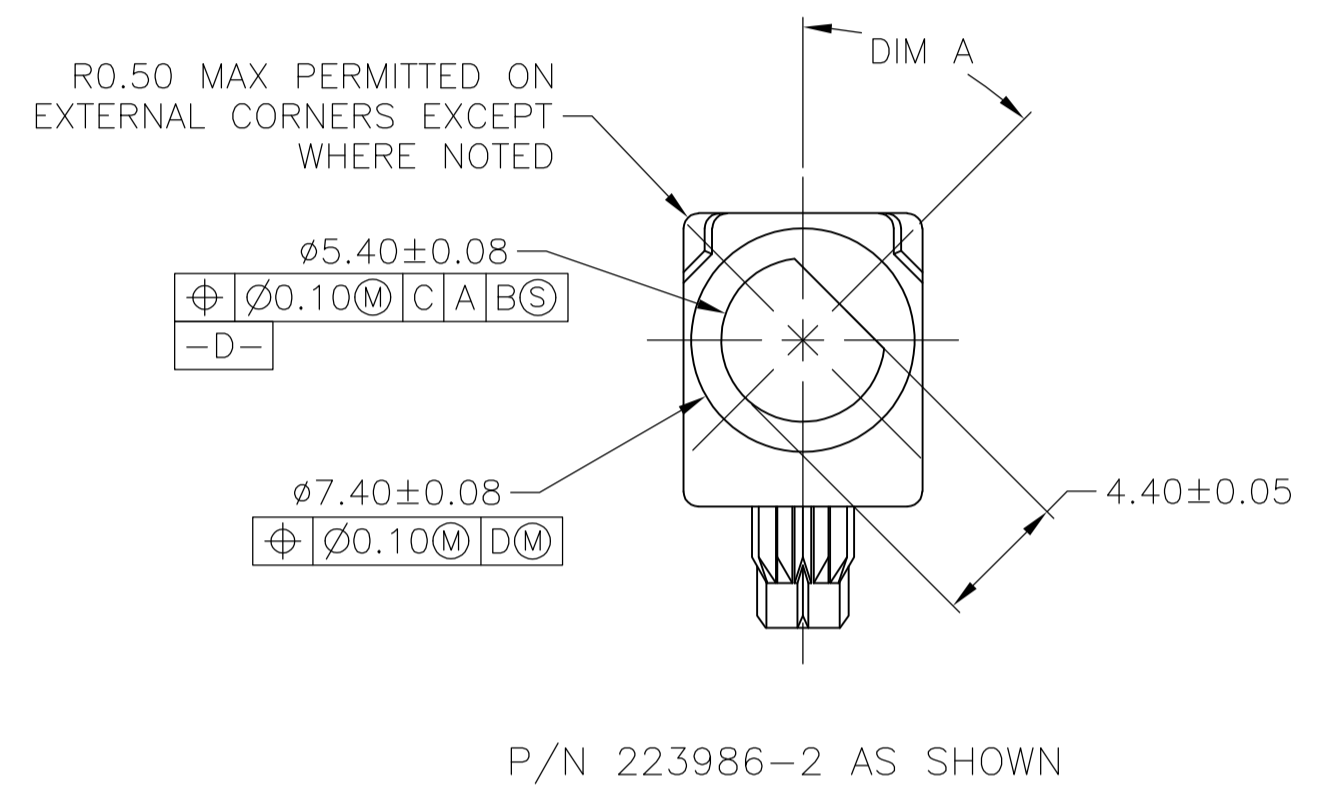


1 MATERIAL: ZINC ALLOY DIE CASTING.  
 2 SURFACE FINISH: CHROMATE CONVERSION COATING. (ROHS COMPATIBLE).



FOOT PRINT

KEYING POSN	DIM A	PART NUMBER
8	315"	5223986-8
7	270"	5223986-7
6	225"	5223986-6
5	180"	5223986-5
4	135"	5223986-4
3	90"	5223986-3
2	45"	5223986-2
1	0"	5223986-1

THIS DRAWING IS A CONTROLLED DOCUMENT.		DIN J. POLIGNONE DSAPROS		TE Connectivity MODULE, FEMALE, UNIVERSAL POWER MODULE	
DIMENSIONS: mm		TOLERANCES UNLESS OTHERWISE SPECIFIED:			
0 PLC ± - 1 PLC ± - 2 PLC ± 0.13 3 PLC ± - 4 PLC ± - ANGLES ± -		APVD R. PATTERSON DSAPROS PRODUCT SPEC APPLICATION SPEC		SIZE A1 CAGE CODE 00779 DRAWING NO. C=5223986	
MATERIAL 1		FINISH 2		WEIGHT - CUSTOMER DRAWING SCALE 4:1 SHEET 1 OF 1 REV P	